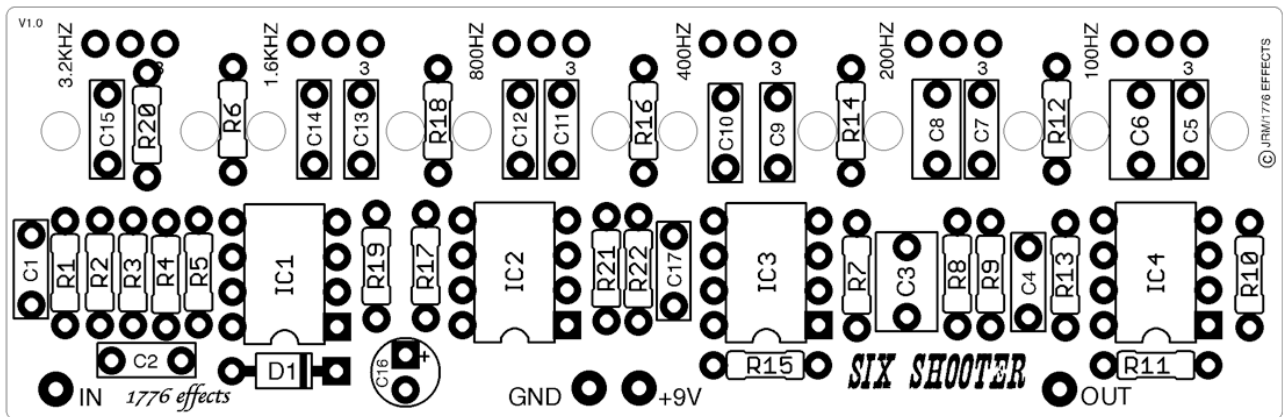


SIX SHOOTER EQ

A 1776 Effects Project



V1.0

WHAT IS IT...

The Six Shooter EQ is a basic 6-band EQ. It's based off the MXR 6-Band EQ, a no frills EQ, but a useful addition to any musician's "toolbox".

The great thing about DIY is the ability to customize the EQ bands if so desired. The stock parts list includes the "normal" frequencies. See the mods notes for changing frequency bands.

SIX SHOOTER PARTS LIST

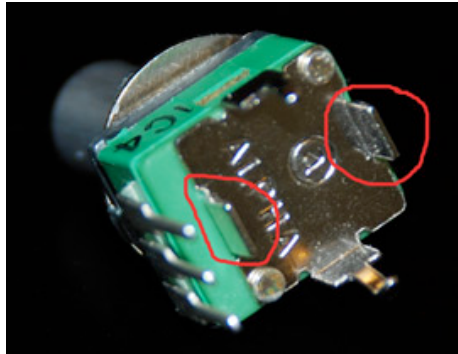
Resistors		Capacitors		Diodes	
R1	1k	C1	100n	D1	1N4001
R2*	470k	C2	10n	Potentiometers	
R3*	1k	C3	1uF	1.6KHZ	20kW
R4	10k	C4	10n	3.2KHZ	20kW
R5	10k	C5	220n	100HZ	20kW
R6*	10k	C6	1uF	200HZ	20kW
R7	10k	C7	120n	400HZ	20kW
R8	10k	C8	470n	800HZ	20kW
R9	10k	C9	68n	IC's	
R10	24k	C10	220n	IC1	TL072
R11	470R	C11	33n	IC2	TL072
R12*	24k	C12	120n	IC3	TL072
R13	470R	C13	15n	IC4	TL072
R14	22k	C14	68n		
R15	470R	C15	68n		
R16	22k	C16	47uF		
R17	470R	C17	100n		
R18	20k				
R19	470R				
R20*	1k2				
R21	330k				
R22	470k				

*** PLEASE NOTE:**

On the first batch the manufacturer somehow changed some of the resistor numbers. Please refer to the component numbering on the first page of the build document for resistor numbering.

PARTS NOTES :

- All resistors are standard 1/4 watt. 1% metal film recommended.
- Caps - Electrolytic's should be 5 mm Dia. x 11 mm or smaller
- If your are using board mounted pots use Alpha Single-Gang 9mm Right-Angle PC Mount. Small bear carries them and they are SKU: 1012A. Please snap off the tabs that do not go in the mounting brackets. The picture shows the tabs that need snapped.



- Enclosure size, this can fit in a 1590B with careful planning.

MODS

EQ Bands

The bandpass filters can be modified by using the calculator on Jack Orman's fantastic site. For the last band refer to the RC calculator link.

<http://www.muzique.com/lab/gyrator.htm>

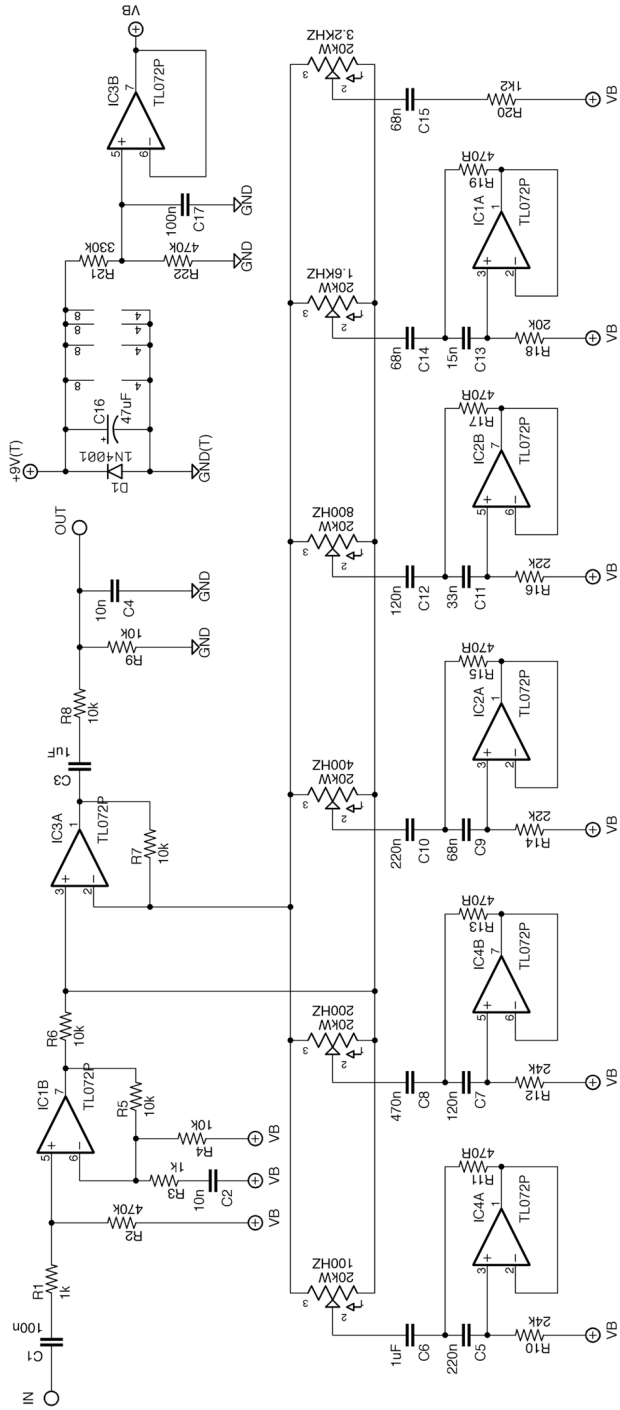
<http://www.muzique.com/schem/filter.htm>

WIRING

3PDT wiring is standard FX wiring as shown in Madbean's wonderful wiring diagram.

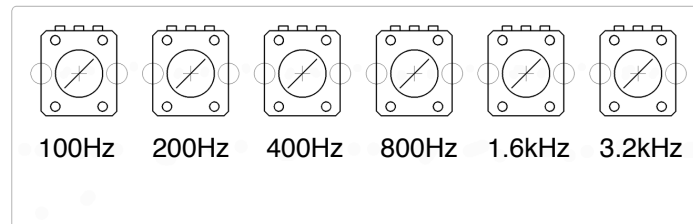
http://www.madbeanpedals.com/tutorials/downloads/StandardWiring_MBP.pdf

SCHEMATIC



DRILL GUIDE

Print at 100% scale for drilling! Dry fit the PCB template inside to make sure you have clearance and then place the template on top of the enclosure to center-punch the hole locations.



PCB size 3.66 in x 1.18 in (93 mm x 30 mm)

USAGE & SELLING

The Six Shooter EQ can be used for commercial pedal building. You may not however, offer PCBs as part of a “kit” or redistribute the PCB’s for sale as a commercial endeavor. All PCB artwork is property of 1776 effects.

If using PCB’s for commercial building please rename your project so there is no confusion to the end user and it will be clear I offer no official support to those you sold your pedal to :)