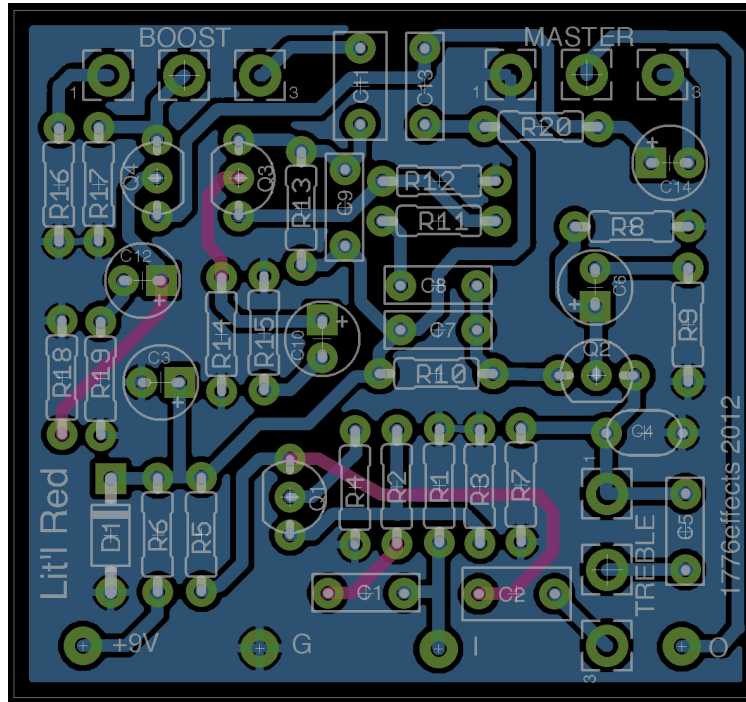
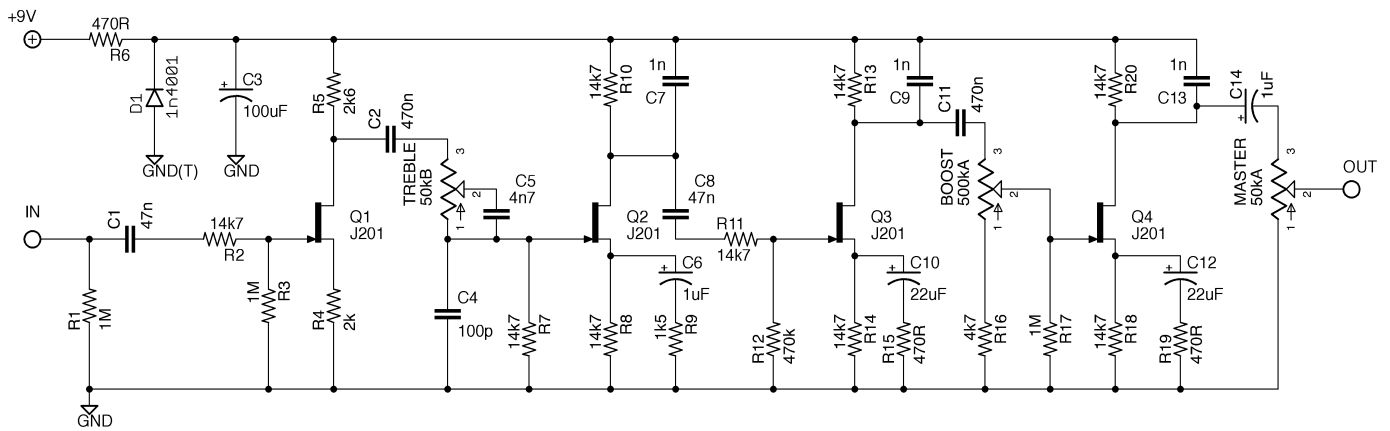


Lit'l Red Boost

Project by 1776 Effects/JRM ©2012



Resistors		Capacitors		Potentiometers	
R1	1M	C1	47n	BOOST	500kA
R2	14k7	C2	470n	MASTER	50kA
R3	1M	C3	100uF	TREBLE	50kA
R4	2k	C4	100p		
R5	2k6	C5	4n7	Transistors	
R6	470R	C6	1uF	Q1-Q4	J201
R7	14k7	C7	1n		
R8	14k7	C8	47n	Diodes	
R9	1k5	C9	1n	D1	1n4001
R10	14k7	C10	22uF		
R11	14k7	C11	470n		
R12	470k	C12	22uF		
R13	14k7	C13	1n		
R14	14k7	C14	1uF		
R15	470R				
R16	4k7				
R17	1M				
R18	14k7				
R19	470R				
R20	14k7				



Notes:

This is inspired by the Ruby Red Booster. Unlike the original there is no bypass buffer in this version.

It uses J201's which are easier to acquire than the 2N5952.

It can give a nice overdrive with the boost maxed and master down. By adjusting the treble pot it can accommodate many different setups.

Thanks to WhiteKeyHole on FSB for the original circuit tracing.