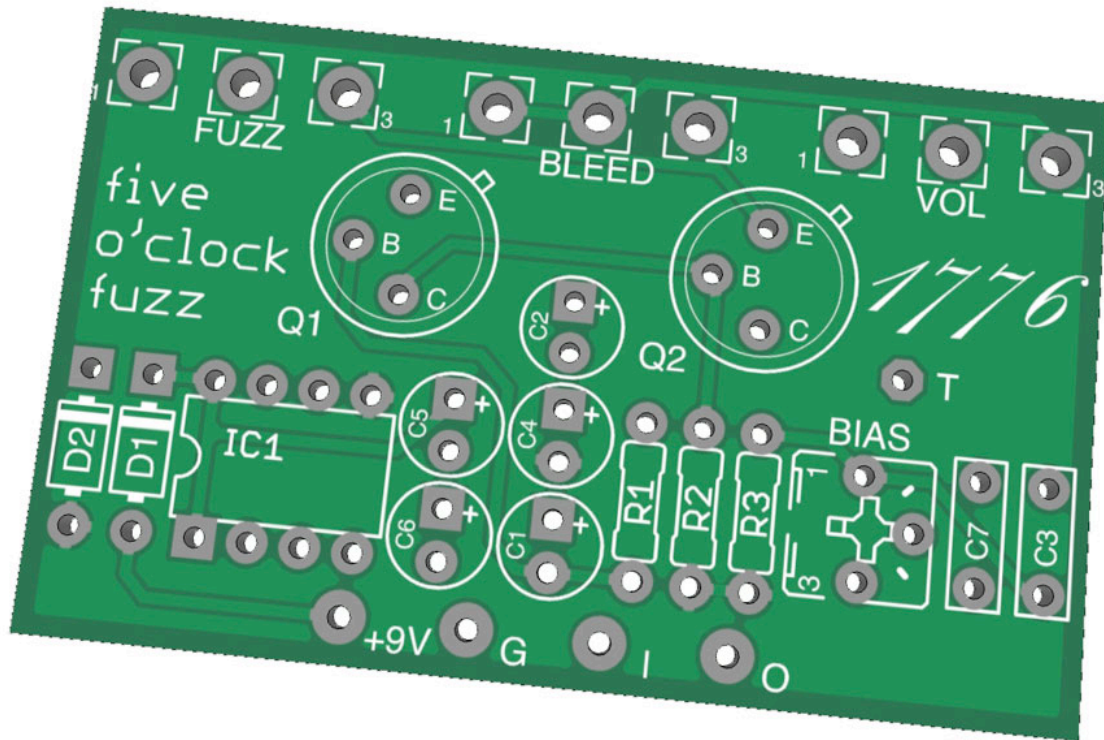


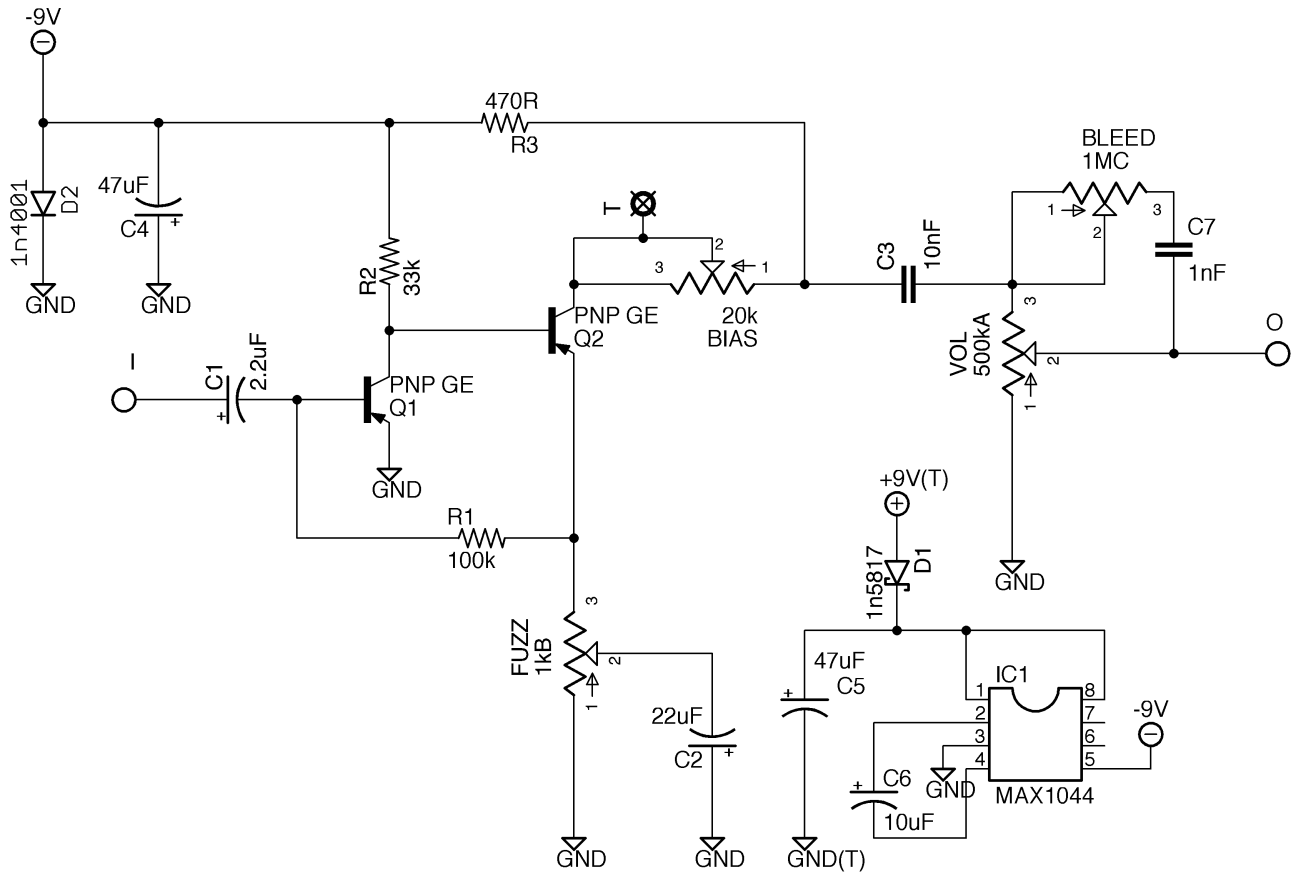
Five O'Clock Fuzz

Project by 1776 Effects/JRM © 2013



The Five O'Clock Fuzz is a traditional fuzz face with PNP Germanium transistors. But.... it sports an onboard charge pump for polarity conversion, now you can have all your classic fuzz tones without fooling with a positive ground effect. It also features a treble bleed addition. This really lets you experience some great lower gain fuzz without the “blanket on the amp” effect!

Resistors		Capacitors		Diodes	
R1	100k	C1	2u2	D1	1N5817
R2	33k	C2	22uF	D2	1N4001
R3	470R	C3	10nF	Transistors	
Potentiometers		C4	47uF	Q1	PNP GE
VOL	500kA	C5	47uF	Q2	PNP GE
BLEED	1MC	C6	10uF	IC	
FUZZ	1kB	C7	1nF	IC1	TC1044SCPA
BIAS	20k trim				

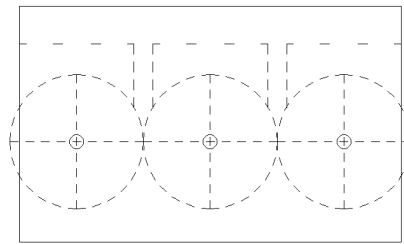


Notes:

- Remember, unlike most PNP fuzzes, this circuit is designed to be powered with a standard center negative jack. No special adapter needed.
 - The charge pump provides the -9v for the for the main circuit and PNP transistors.
 - You must use PNP transistors.
- Biasing: Utilizing the your multimeter place the red probe on the T pad and black probe on ground. Adjust the BIAS trim until you reach -4.5V or to taste :)
- PNP germanium transistors can be purchased at www.smallbearelec.com as fuzz face pairs. These transistors are already tested for gain and leakage or you can try your luck on eBay.
 - If selecting your own gains the sweet spot is between 70 - 120 HFE. Q1 should be the lower gain transistor.
- IMPORTANT! Make sure to check for the proper pin-out of the transistors you choose. The base, collector, and emitter are labeled on the PCB by B, C, and E respectively. Socketing recommended.
- For IC1 you can use either a TC1044SCPA, MAX1044CPA or ICL7660SCPA. The LT1054 can be used but , you must clip off pin1 on the LT1054.
- The Five O'Clock Fuzz uses standard effect wiring.
- For more about the fuzz face check out R.G. Keen's write up on the fuzz face here http://www.geofex.com/article_folders/fuzzface/fffram.htm

Drill Guide

Print this document %100 scale.



Board Dimensions 2.0" x 1.23" (50mm x 31mm)

The Five O'Clock Fuzz PCB can be used for small quantities of commercial pedal building. You may not however, offer these PCBs as part of a "kit" or redistribute the PCB's for sale as a commercial endeavor. All PCB artwork is property of 1776 effects.

If using PCB's for commercial building please rename your project so there is no confusion to the end user and it will be clear I offer no official support to those you sold your pedal to :)