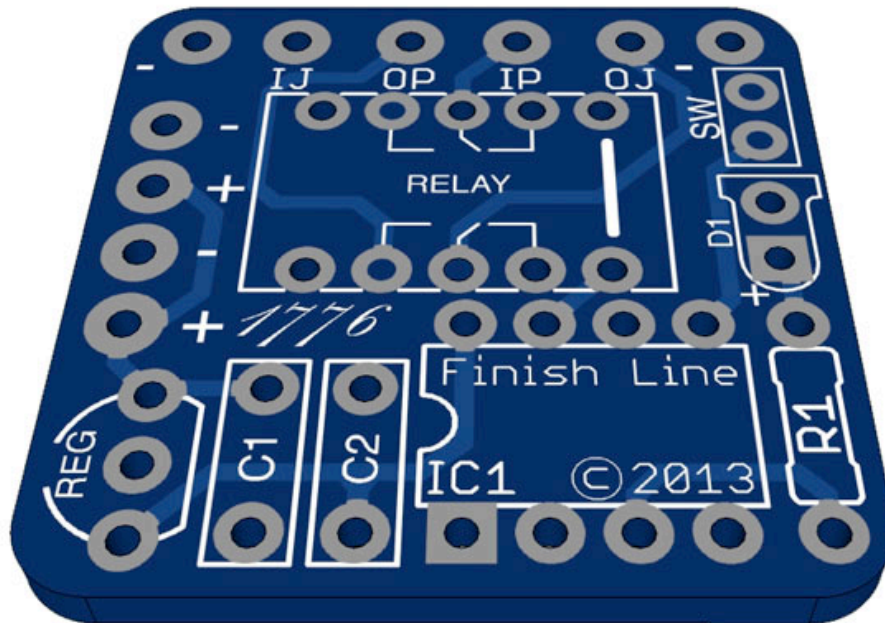


# FINISH LINE BYPASS

RELAY BYPASS BOARD

©2013 1776 EFFECTS/JRM



## COMPONENTS

C1	100nF (film)
C2	100nF (film)
D1	LED
IC1	Attiny 85 (provided)
R1	300 ohms to 4k7 (LED current limiting resistor)
REG	78L05
SW	Soft touch momentary SPST switch (normally open)
RELAY	NEC 551-EA2-5SNJ or Panasonic TQ2-L-5V

## WIRING

IJ pad, wire to the in jack tip

- pad, wire to in jack sleeve

OJ pad, wire to the out jack tip

- pad, wire to out jack sleeve (if not using shielded enclosure)

IP pad, wire to the effect in

OP pad, wire to the effect out

+ pad, wire to the 9V source

- pad, wire to ground

There is an extra + and - pad for powering another effect, etc.

When powering the pedal the LED will briefly flash once and the pedal will be off until activated.

## FINISH LINE SCHEMATIC

